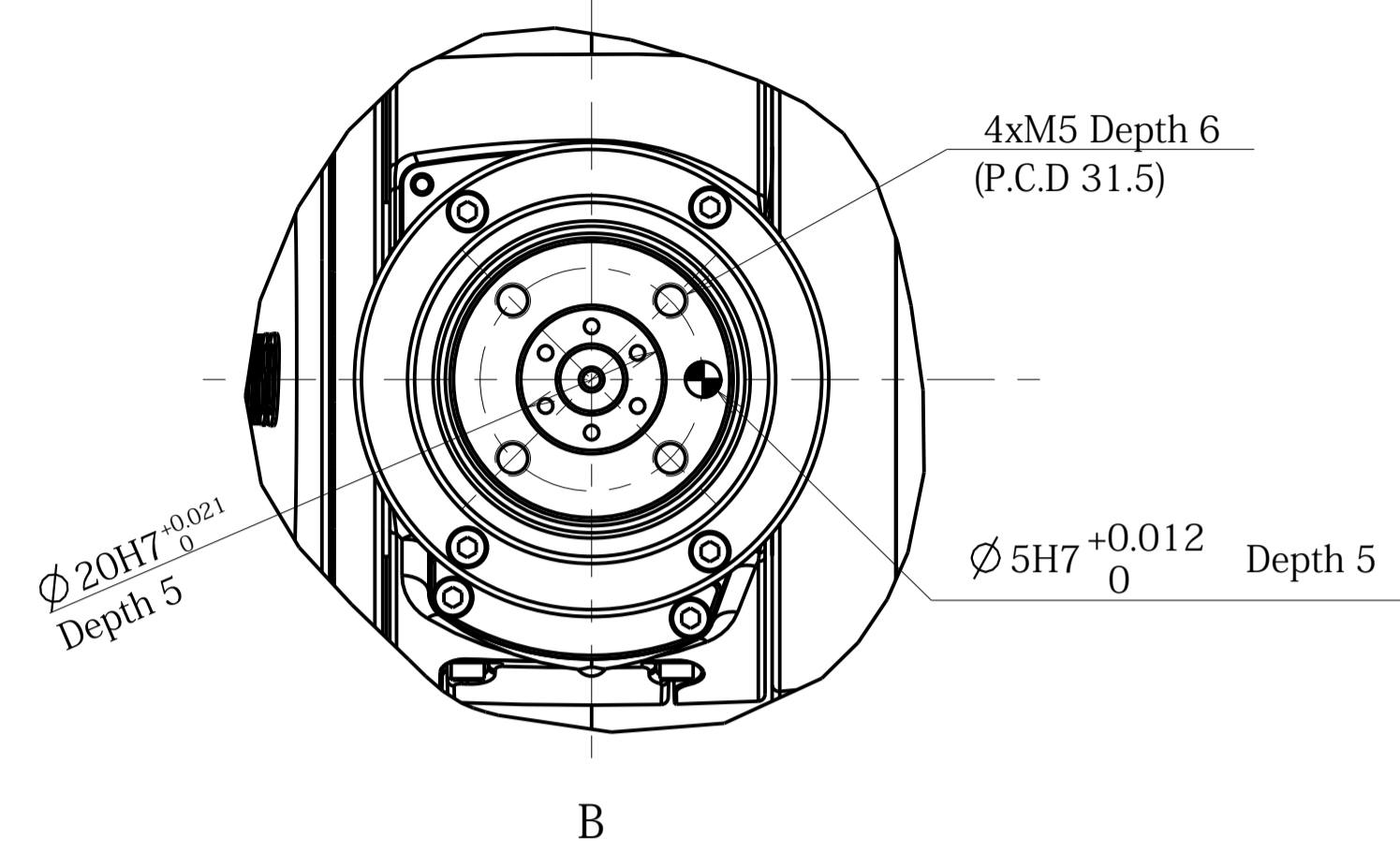
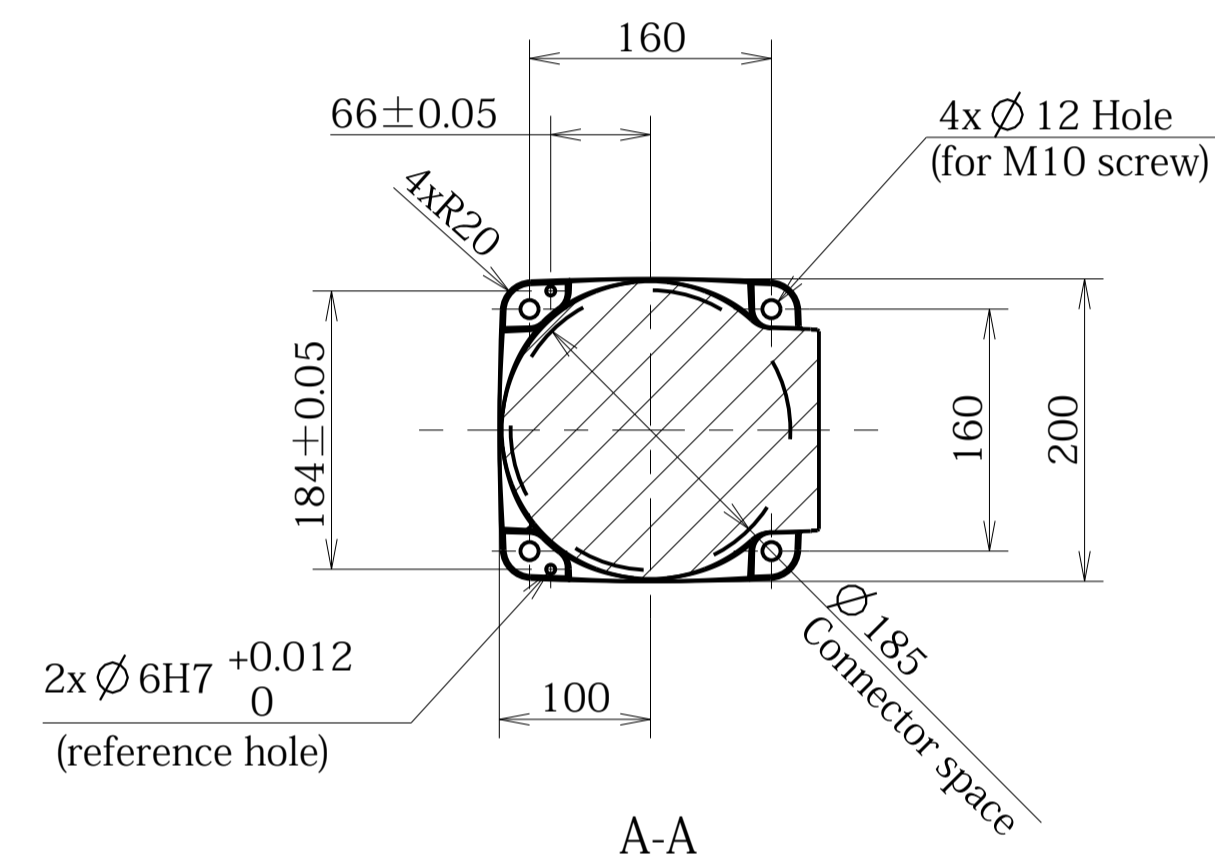


VS-068 (Bottom Connector Panel, Standard Flange, Protected type (IP67))
 410590-3260
 VS-068 (Bottom Connector Panel, Standard Flange, Dust & Mist Proof (IP54(Wrist:IP65)))
 410590-3420

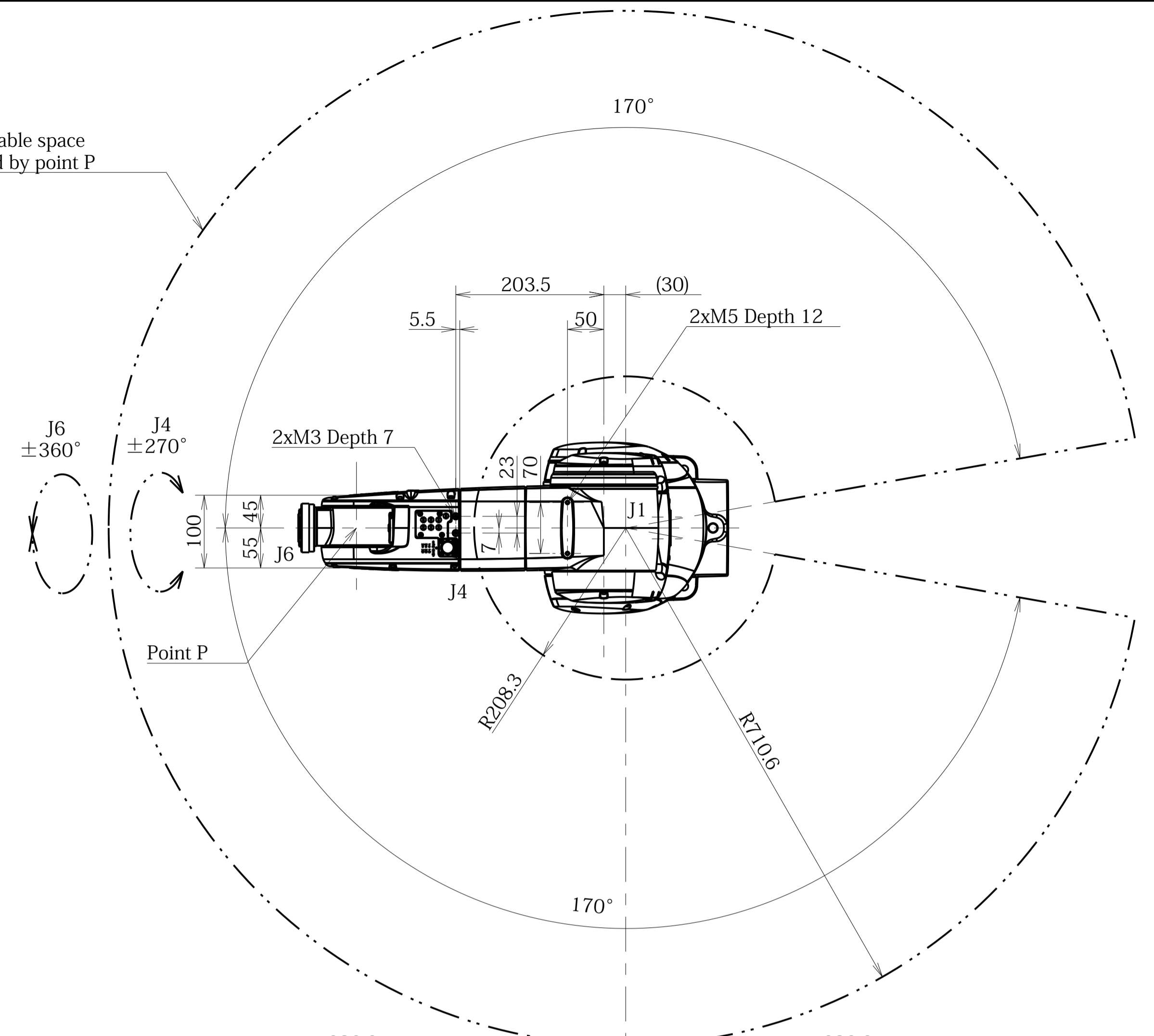
Detailed drawing of end-effector mounting face



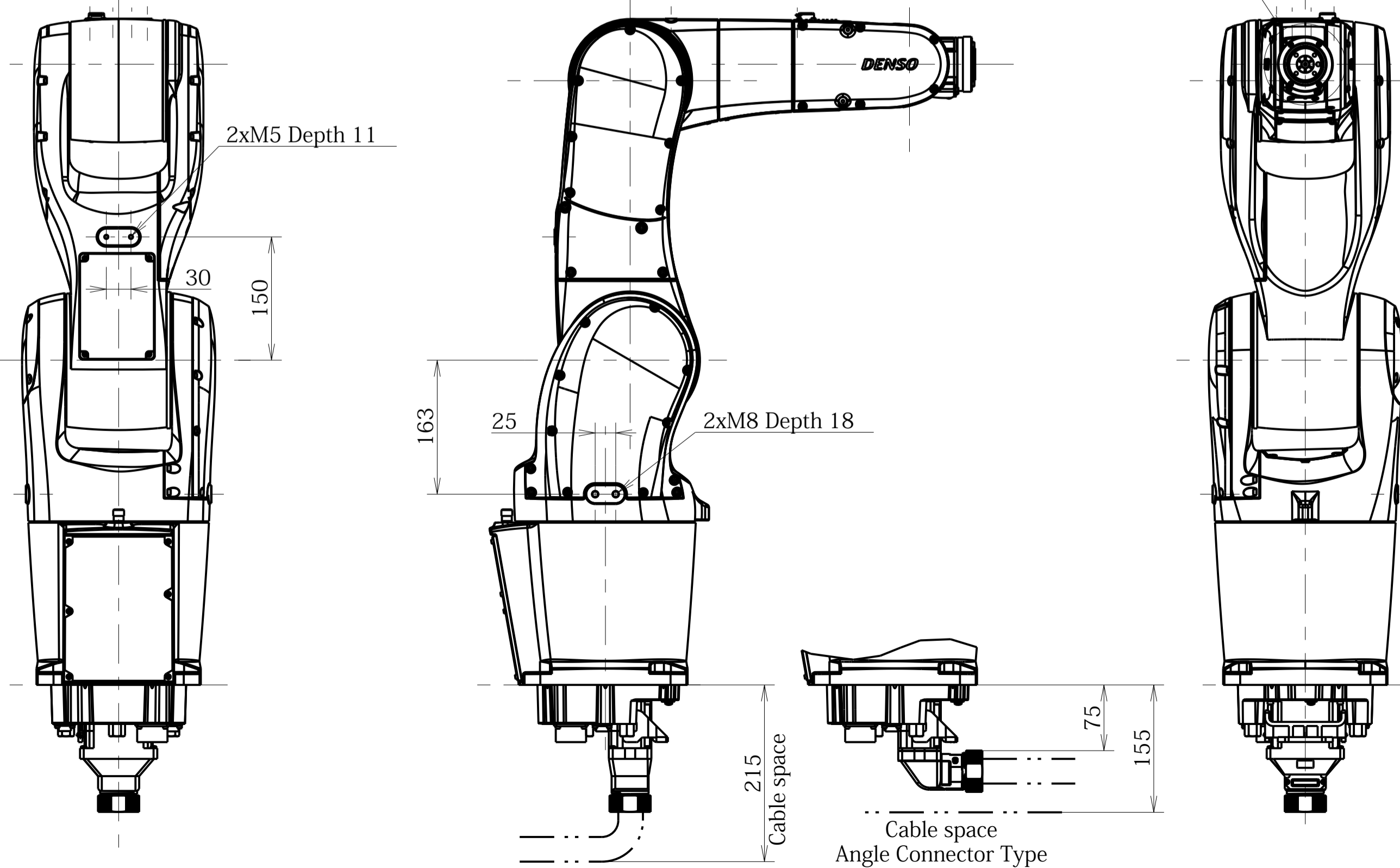
Detailed drawing of base mounting face



Workable space
 defined by point P



J1 = $\pm 170^\circ$
 J2 = $+135^\circ, -100^\circ$
 J3 = $+153^\circ, -120^\circ$
 J4 = $\pm 270^\circ$
 J5 = $\pm 120^\circ$
 J6 = $\pm 360^\circ$



Workable space
 defined by point P

