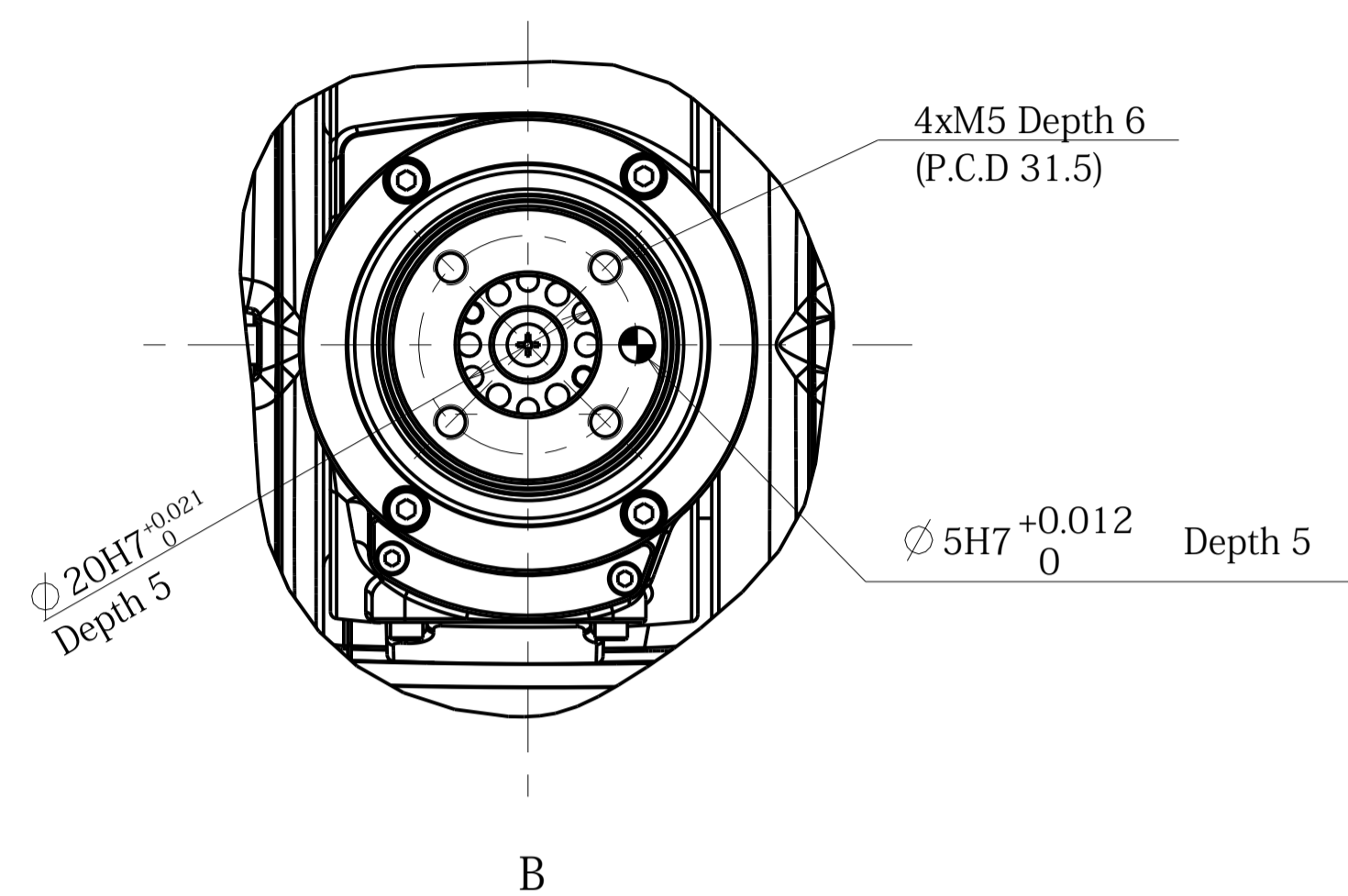
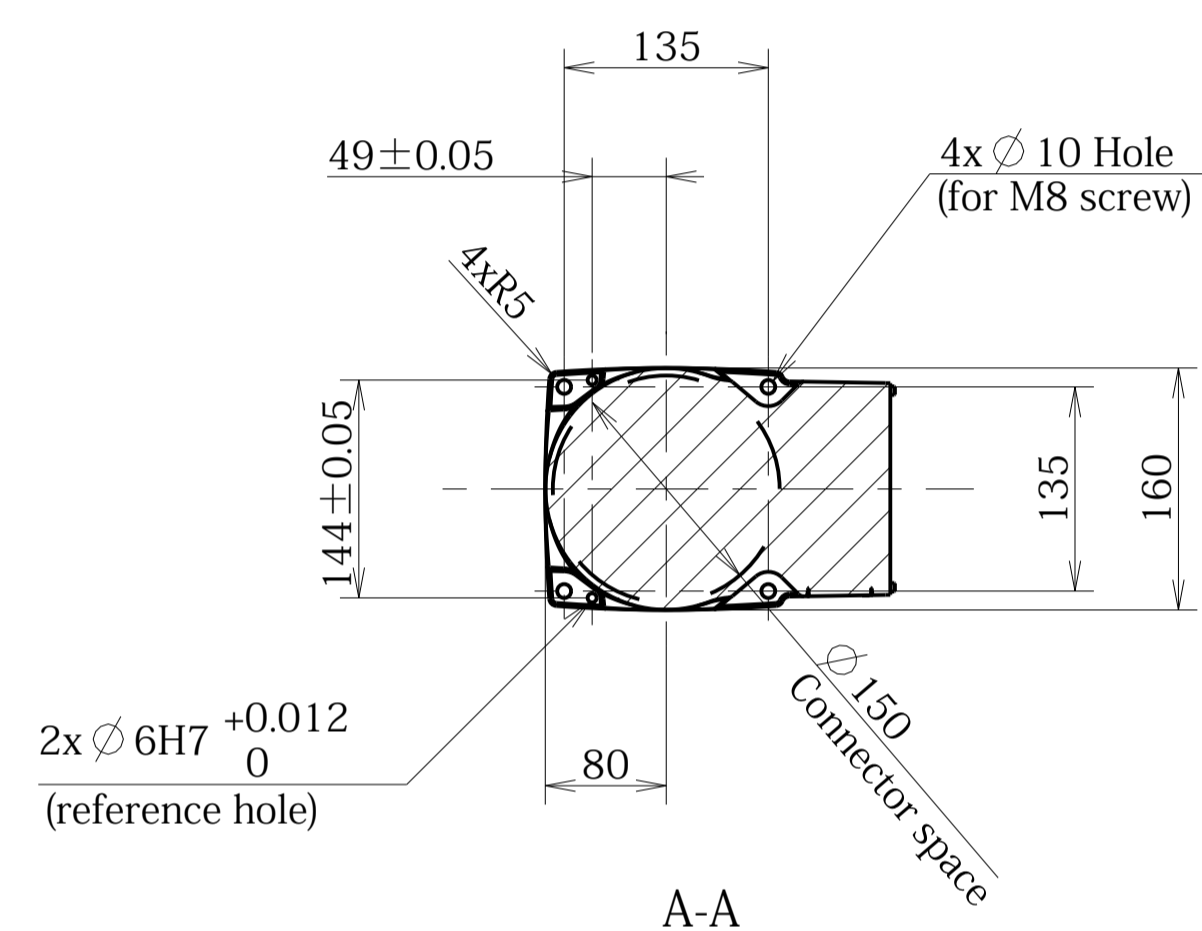


VS-060 (Bottom Connector Panel, Standard Flange, Protected type(IP67))
 410590-3600
 VS-060 (Bottom Connector Panel, Standard Flange, Dust & Mist Proof(IP54(Wrist:IP65)))
 410590-3620

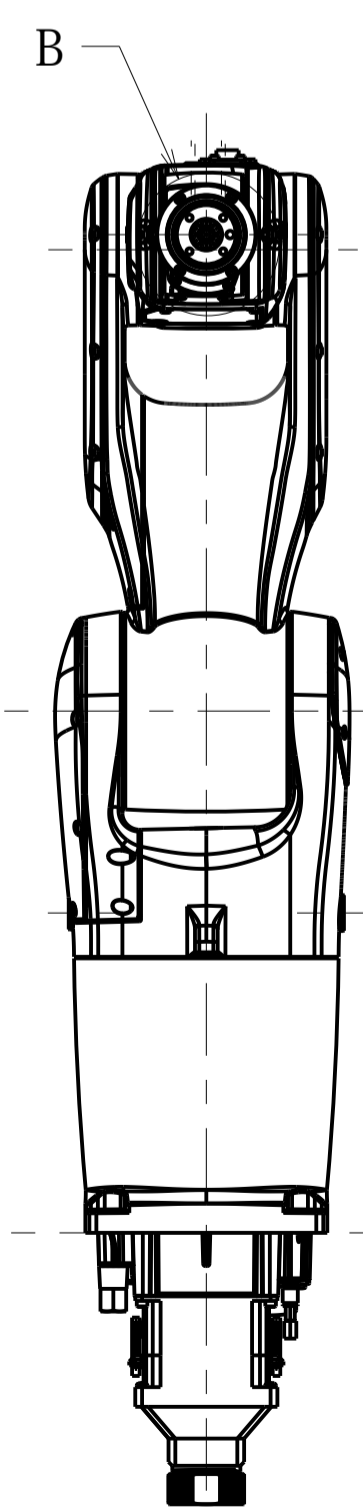
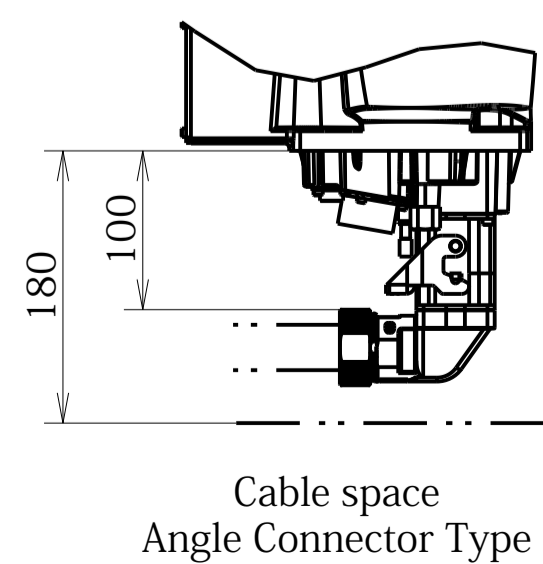
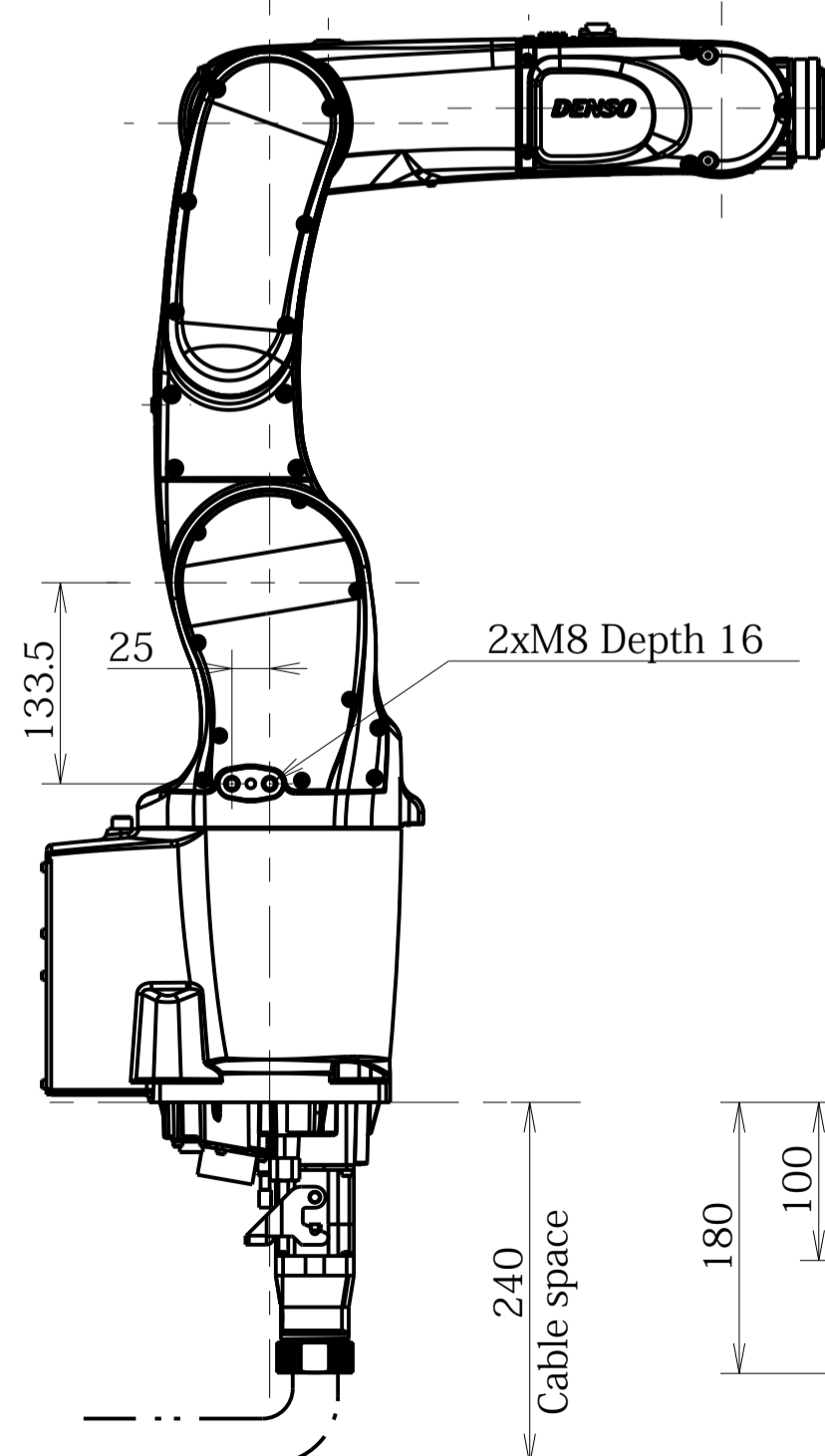
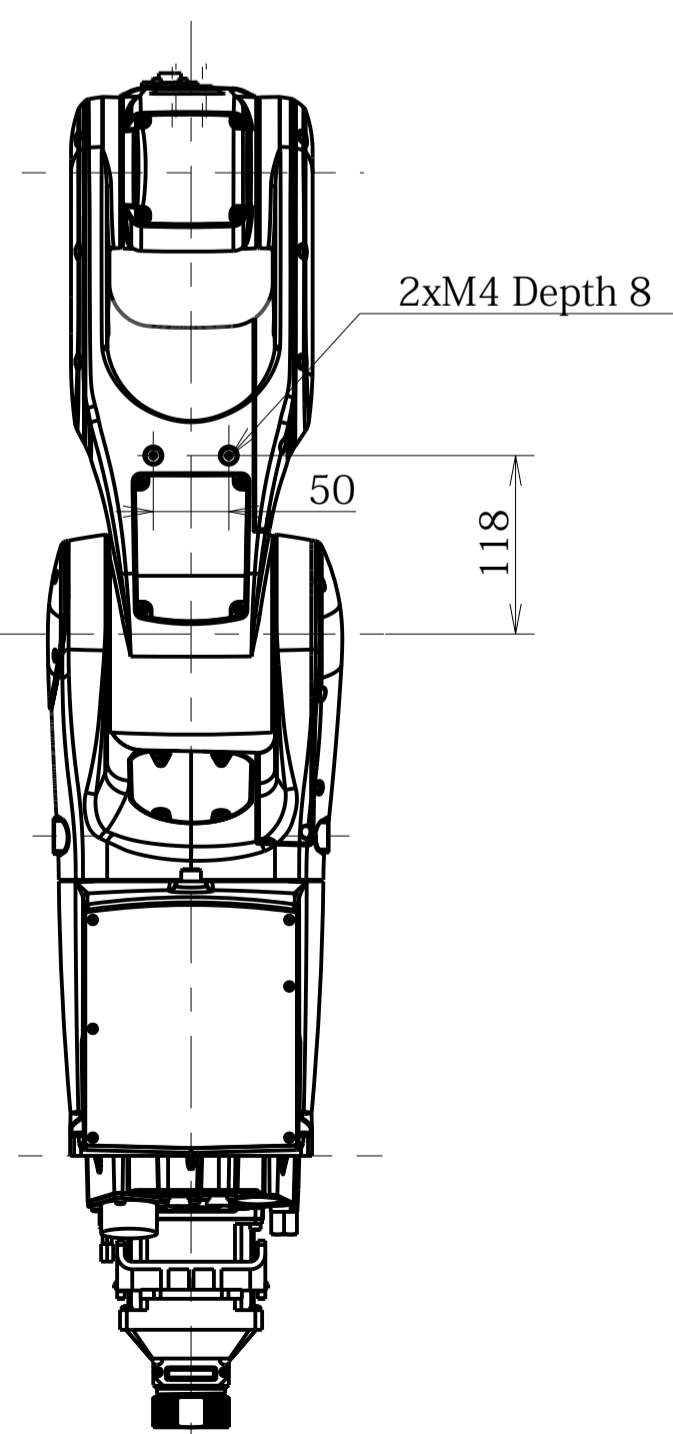
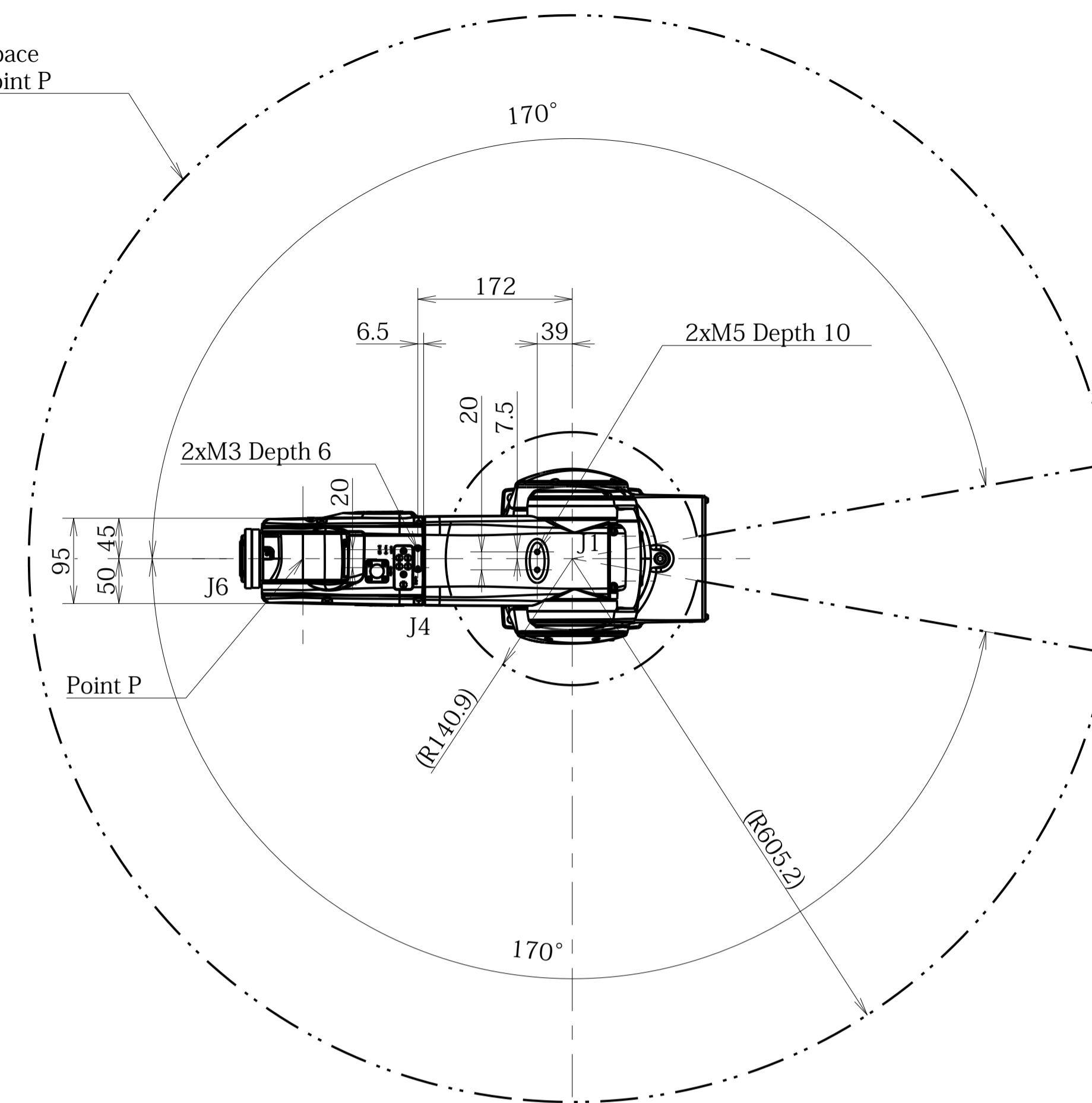
Detailed drawing of end-effector mounting face



Detailed drawing of base mounting face



Workable space
 defin by point P



J1=±170°
 J2=±120°
 J3=+155°, -125°
 J4=±270°
 J5=±120°
 J6=±360°

